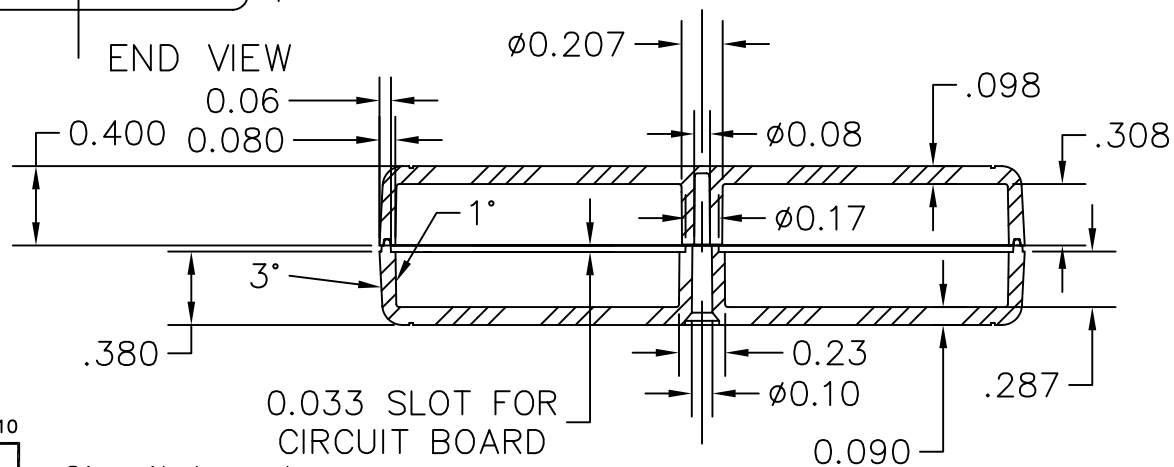
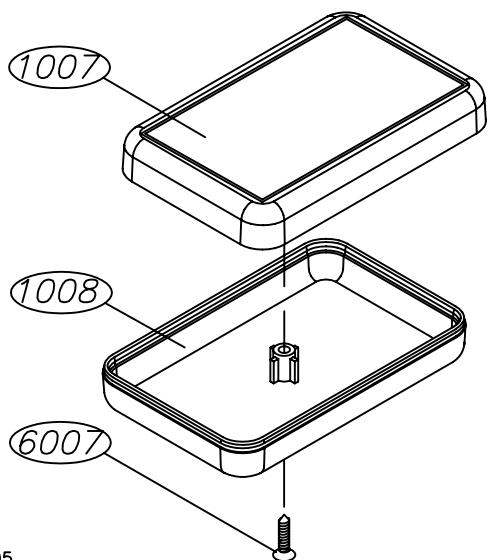
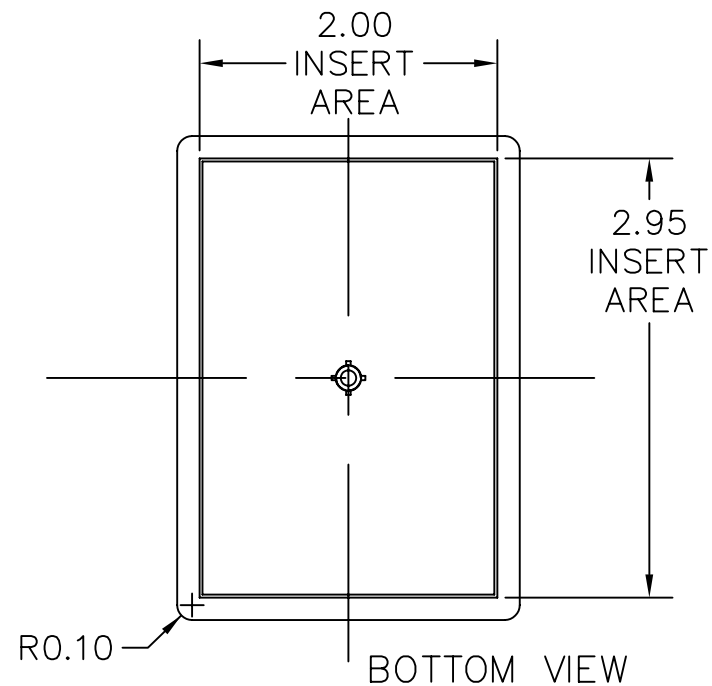
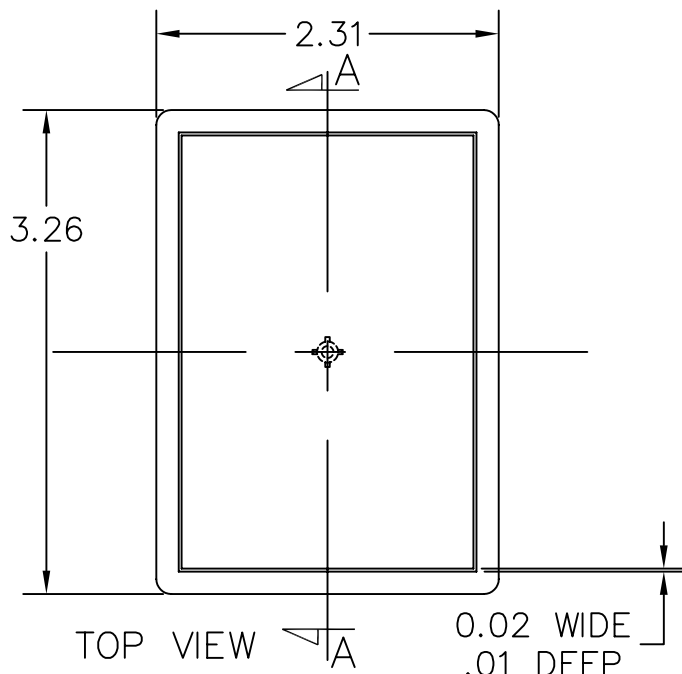
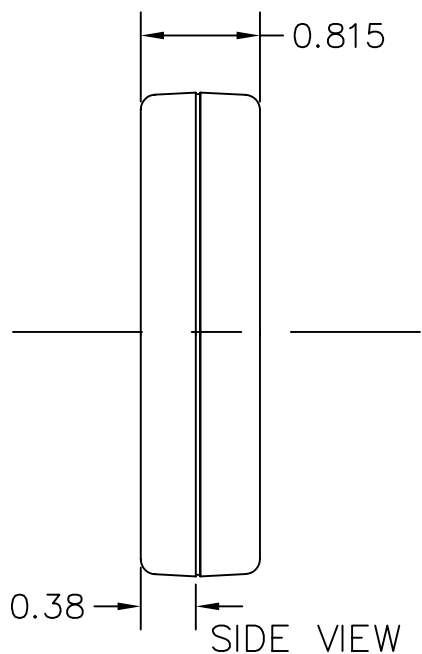


SERPAC C-10

Electronics Enclosures

NOTES:

1. WHEN MACHINE OR I PLATES MODIFICATIONS ARE REQUIRED, USE THE CENTER OF THE ENCLOSURE TO DIMENSION.



Circuit board
max. dimensions
2.184" X 3.135"

Section A-A

9/28/05

ALL DIMENSIONS ± .010

PART NO.	DESCRIPTION	ACCESSORIES	
1008	PLASTIC TOP	PART NO.	DESCRIPTION
1007	PLASTIC BOTTOM	55	KEY HOLDER
6007	SCREW	1030	POCKET CLIP